

1. General Description

The Elite range of fume extractors have a 1.5mm high grade steel body with an aluminum alloy motor housing, which provides an excellent heat elimination and a reduction in weight. The overall design of the extractors give exceptional air flow and pressure. The ducting is made from a flexible retardant material and is available in two lengths 5m and 10m.

2. Uses of the fan:

Do not use the Elite fume extractors in a flammable environment, explosive environment or a corrosive environment. The fume extractor should only be operated with the voltage stipulated on the name plate on the unit. Temperature Range: < 40°C; Relative Humidity ; <90%; Dust and other solid particle contained: <100mg/ Cubic Meter.

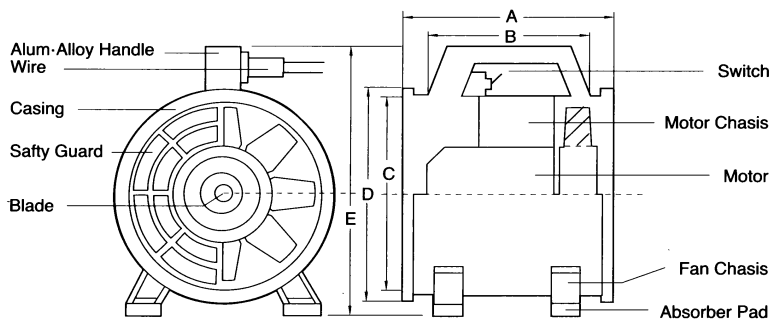
The fan is suitable for extraction and fresh air supply in such locations as underground warehouses, tunnels, chemical labs, ships, cabins, and etc.

3. Main technical data:

Size (mm)	Voltage (v)	Frequency (Hz)	Phase	Power (w)	Speed (r/min)	Wind-rate (m ³ /min)	Static-pressure (Pa)	Noise dB(A)
200mm	110-115	50/60	Single	150	2800/3400	25/35	245/410	79
	220-240		Single					
	380		Three					
250mm	110-115	50/60	Single	320	2800/3400	43/53	294/441	87
	220-240		Single					
	380		Three					
300mm	110-115	50/60	Single	520	2800/3400	60/70	343/490	92
	220-240		Single					
	380		Three					
400mm	110-115	50/60	Single	1200	2800/3400	90/110	410/490	93
	220-240		Single					
	380		Three					
450mm	110-115	50/60	Single	1700	2800/3400	110/125	490/520	97
	220-240		Single					
	380		Three					

Note: The Elite fume extractors are available in both 110 volt and 230 volt, for different operational requirements.

4. External dimensions:



Specification	A	B	C	D	E
200 mm	290	248	200	220	295
250 mm	290	248	250	270	350
300 mm	358	248	300	320	405
400 mm	465	205	410	435	470
450 mm	460	205	450	480	520

5. Connection method for flexible ducting:

The Elite fume extractor ducting is made especially for the Elite fume extractor, the connection method is shown below. To connect the ducting to the machine, firstly align the ducting towards the outlet of the fume extractor, then secure to the unit by tying the string on the end of the ducting. Do not connect more than 2 lengths of ducting to each other.

