



BELLE
LIGHT
CONSTRUCTION
EQUIPMENT



Altrad-Belle.com

PWX RANGE

PRESSURE WASHERS

Heavy-duty, robust, PWX professional range of cold water, high-pressure, high-flow Pressure Washers.

Designed specifically for use on the harshest sites and most demanding of rental and hire applications for construction, industry and agriculture.

Available in a range of sizes, with both petrol and diesel power units.



BUILDING A SUSTAINABLE FUTURE.

FEATURES & BENEFITS

- Robust, compact full Engine & Pump protection frame complete with hose storage facility as standard.
- Professional Honda petrol, Loncin petrol and Electric Start Yanmar Diesel engine options with recoil start.
- Detergent / chemical feed-line complete with strainer filter.
- Single point lift to minimize manual handling risk.
- Folding and lockable transport handle.
- Puncture-proof integrated wheels.
- Accessible service points.
- Inlet-line strainer for added pump protection.
- Low engine oil cut-off.
- High quality, heavy-duty triple piston pump.
- Professional two-wire, 10m braided hose, complete with quick-screw adapters and swivel couplings.
- Thermal pump protection.
- Lance holder integrated into protection frame.
- Lance comes complete with safety trigger lock.
- Specifically designed for hire and rental markets.
- Customer colour options available.
- Optional hose reel available.



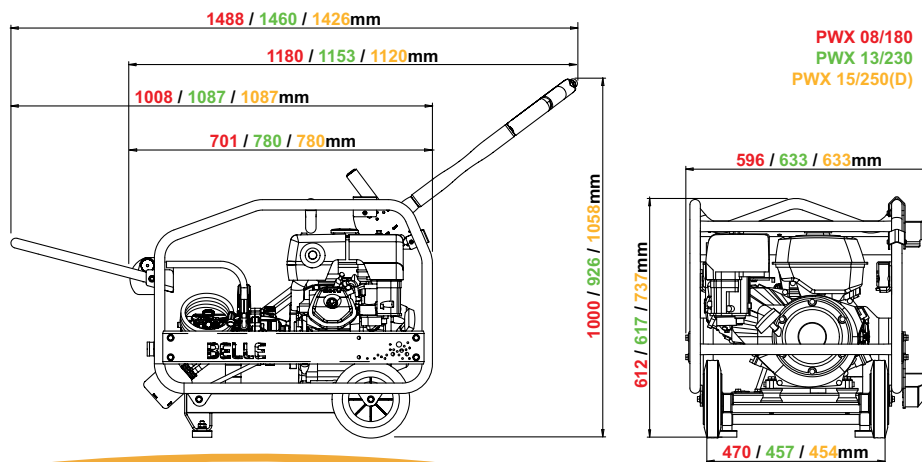
HOSE REEL OPTION



FOLDING, LOCKABLE TRANSPORT HANDLE

TECHNICAL SPECIFICATIONS

Model	PWX 08/180	PWX 13/230	PWX 13/230	PWX 15/250	PWX 15/250D
	Honda GX200	Honda GX270	Loncin G270F	Honda GX390	Yanmar L100
Part No.	P081801S	P132301S	P132302S	P152501S	P152501DS
Part No. (c/w Hose Reel)	P081801RS	P132301RS	P132302RS	P152501RS	P152501DRS
Engine Power (Hp / kW)	5.8 / 4.3	8.5 / 6.3	9.0 / 6.7	11.7 / 8.7	8.9 / 6.6
Engine RPM	3400	3400	3400	3400	3400
Water Flow (lpm)	8	13	13	15	15
Max. Water Pressure (bar-psi)	180-2600	230-3300	230-3300	250-3600	250-3600
Max. Water Inlet Temp (°)	40/45	40/45	40/45	40/45	40/45
Fuel Tank Capacity (Ltrs)	3.1	5.3	6.1	6.1	5.4
Gearbox Driven Pump	No	No	No	Yes	Yes
Weight (kg)	57	71	71	96	136
Noise Level (dB(A))	108	109	109	109	110



ALTRAD BELLE RESERVES THE RIGHT TO AMEND OR IMPROVE ANY SPECIFICATIONS IN THIS BROCHURE WITHOUT NOTICE.

