

TECHNICAL INFORMATION



PRODUCT

P 1 / 8

Models No. ▶ KP0800

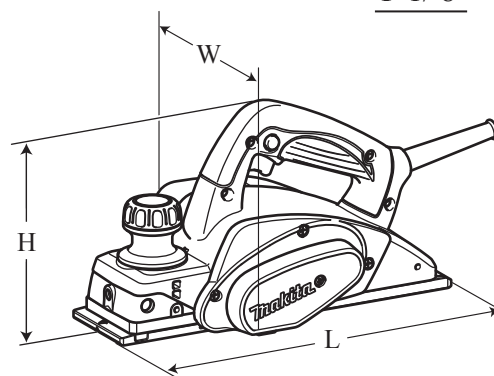
Description ▶ Power Planer 82mm (3-1/4")

CONCEPT AND MAIN APPLICATIONS

Model KP0800 has been developed as the successor model of N1900B and 1902.

Additionally to the same well balanced design for easy handling, features the following main advantages;

- Planing depth adjustment knob for precise depth setting
- Power input of 620W
- New aesthetic design



Dimensions: mm (")	
Length (L)	285 (11-1/4)
Width (W)	158 (6-1/4)
Height (H)	158 (6-1/4)

Also available with plastic carrying case as Model KP0800K.

► Specification

Voltage (V)	Current (A)	Cycle (Hz)	Continuous Rating (W)		Max. Output (W)
			Input	Output	
110	5.9	50/60	620	280	650
120	6.5	50/60	---	360	650
220	3.0	50/60	620	280	650
230	2.9	50/60	620	280	650
240	2.7	50/60	620	280	650

No load speed: min-1=rpm		17,000
Capacities: mm (")	Planing width	82 (3-1/4)
	Planing depth	2.5 (3/32)
	Shiplapping	9 (11/32)
Protection against electric shock		Double insulation
Power supply cord: m (ft)		Brazil, Australia: 2.0 (6.6), Other countries: 2.5 (8.2)
Net weight*: kg (lbs)		2.6 (5.7)

* Weight according to EPTA-Procedure 01/2003

► Standard equipment

- Planer blade (re-sharpenable type) or T.C.T. Mini planer blade (disposable type)
- Sharpening holder assembly (for countries using re-sharpenable type Planer blade)
- Dressing stone (for countries using re-sharpenable type Planer blade)
- Blade gauge assembly
- Socket wrench 9
- Guide rule
- Dust nozzle
- Plastic carrying case (for **KP0800K**)

Note: The standard equipment for the tool shown above may vary by country.

► Optional accessories

- | | | |
|--|---------------------|----------------------------|
| Planer blade (re-sharpenable type) | Guide rules | Dust bag assembly |
| T.C.T. Mini planer blade (disposable type) | Extension guide set | Blade gauge assembly |
| Set plate (for countries using T.C.T. Mini planer blade) | Dust nozzle | Sharpening holder assembly |
| | Elbow | Plastic carrying case |